

# NAQCC NEWS

ISSUE 224 FEBRUARY 2017



## KEY CLICKS

- **NEW NAQCC CW NETS MANAGER NQ0RP.** We are pleased to announce that Wayne Dillon, NQ0RP, #0759, has volunteered to be our new CW Nets Manager. Wayne is the NCS for our Midwest net so he is already familiar with this aspect of the club.
- **START WORKING ON YOUR PRIZE ELIGIBILITY.** We will again have an exciting drawing for some great prizes during our 13th anniversary celebration in October and you need to start getting ready for that now. As we have done in past years, there will be a year-long participation requirement to be eligible for the high-tier prizes and you can meet that requirement by regularly participating in our monthly challenges and sprints. You can see the complete eligibility requirements on last year's prize page at [http://www.naqcc.info/prize\\_drawing\\_12th\\_anniv.html](http://www.naqcc.info/prize_drawing_12th_anniv.html).
- **ARTICLES WANTED FOR THE NEWSLETTER.** I'm just about out of articles that are queued up for future issues of the newsletter and I need your help. Do you have a new piece of gear that you could review? Or have you been working on a home-brew project that our members would find interesting? Could you share a pictorial documentation of a kit that you are building? Or for those of you who are not in winter's grip right now, is there a portable outing that you could tell us about to make the rest of us feel a little bit warmer? Just about anything related to QRP and CW would be of interest to our members and would be greatly appreciated. Your submission does not have to be "professional" nor does it need any fancy formatting - I can take care of that. A simple *file.doc*, *file.pages*, or even just a basic *file.txt* is all you need. (*Pdf* files are also OK but they are a little bit harder for me to work with.) There is no compensation for submissions but being immortalized in these pages is certainly worth the effort!
- **THE 2016 PARTICIPATION AWARD WINNER IS K3WWP.** Five members - K1IEE, N1JI, K3WWP, N8XMS, and N9SE - managed to collect the maximum possible 36 participation points in 2016. Three of these people are previous winners of the annual participation award and were not eligible for the 2016 prize. A random drawing was held for the remaining two people and John, K3WWP, was selected as the winner. John's prize is a free 1-year renewal of his FISTS membership. Congratulations to K3WWP and indeed to all of our top-participation members. The complete 2016 participation records can be seen at [http://www.naqcc.info/awards\\_participation2016.html](http://www.naqcc.info/awards_participation2016.html) and information about all of our current award programs can be found at [http://www.naqcc.info/awards\\_current.html](http://www.naqcc.info/awards_current.html).

### IN THIS ISSUE

Key Clicks	1
Fun With Funmitters	3
BarbeQRP.con	6
Does Anyone Hear Me?	9
Member Spotlight	11
Sprints	15
Challenges	19
Awards	21
CW Nets	22
Ham Quips	25
Chapter News	26
Member Submissions	40
About The NAQCC	44
Contacts	45

- **Z35M WINS OUTDOOR QRP MARATHON.** NAQCC member Vlado, Z35M, #7883, won the year-long outdoor QRP marathon competition sponsored by the [Outdoor QRP Activity Group](#), a club based in Russia. Vlado made almost 4000 QSOs on portable outings during 2016 and you can see some of the details in the *Member Submissions* section of this newsletter. Congratulations to Vlado on this significant achievement!
- **NAQCC CONTINUES TO GROW.** 620 new members were added to our membership roles in 2016 and as of mid-January a total of 8778 membership numbers have been issued. I expect that we will hit the 9000-member level sometime this spring. You can see a “growth history” of our club at [http://www.naqcc.info/awards\\_workedmembers.html](http://www.naqcc.info/awards_workedmembers.html).
- **WELCOME THE NEW MEMBERS.** This good idea comes from NAQCC VP John, N8ZYA. Do you remember the first time that you walked into your local ham radio club meeting or some other group as “the new guy?” It can feel awkward and a little bit uncomfortable unless there is someone there who goes out of their way to make you feel welcome. Well, we would like to make our newer NAQCC members feel welcome, so when you find yourself working someone with a high membership number consider sending them an email or QSL card welcoming them to the club. A simple gesture like that can do a lot. A membership database that can be searched by callsign, name, or QTH, can be found at <http://www.naqcc.info/memberlist.php>. A complete membership list that is updated monthly can be downloaded at [http://www.naqcc.info/memberlist\\_complete.php](http://www.naqcc.info/memberlist_complete.php). And a list of membership numbers issued by month can be seen at [http://www.naqcc.info/awards\\_workedmembers.html](http://www.naqcc.info/awards_workedmembers.html).
- **REMEMBER TO KEEP YOUR PERSONAL INFORMATION UPDATED.** New callsign, address, or email address? How about a personal webpage that you would like to have linked to you? We have a simple webpage where you can quickly update your personal membership information at [http://www.naqcc.info/member\\_updates.html](http://www.naqcc.info/member_updates.html).
- **IAMBIC MODE A OR B RESULTS.** In last month’s newsletter there was an article about the difference between iambic mode A and iambic mode B. Going along with that article Jerry, VE6CPP, had a poll question on our website asking members which mode they used. Here are the results:
 

Mode A	27	33%
Mode B	22	27%
I don’t do iambic keying with my paddle	8	10%
I use a single lever paddle	12	15%
I only use a Cootie, Straight Key, or Bug	12	15%
- **Check OUT OUR MONTHLY POLLS.** Jerry, VE6CPP, puts up an interesting poll on our club website each month. You can cast your vote in the current poll and see past poll results using the links on the main club page <http://www.naqcc.info/>. The more people that cast a vote, the more interesting the results.
- **THANK YOU FOR THE DONATIONS!** A big “THANK YOU” goes out to everyone who has made a recent donation to the NAQCC treasury. The NAQCC has no membership dues and we depend on your generous donations to cover our operating expenses. If others would like to help out with a donation there are two ways that you can do it. The first way is to use *PayPal* to electronically send your contribution to Club Vice President John, N8ZYA, using the email found on the last page of this newsletter. To avoid any additional fees please be sure to check the box that says “*I’m sending money to family or friends.*” Also please add a note indicating that this is a donation to the NAQCC and include your call sign. The second way to make a donation is to mail a check or money order made out to *The North American QRP CW Club* and send it to *John Smithson, 1529 Virginia St E, Charleston, WV 25311*. Assuming that we have your correct email address on file, your contribution will be acknowledged by email with a carbon copy sent to a second club officer as a “check and balance.”



# FUN WITH FUNMITTERS

BY TOM, VE4AKI



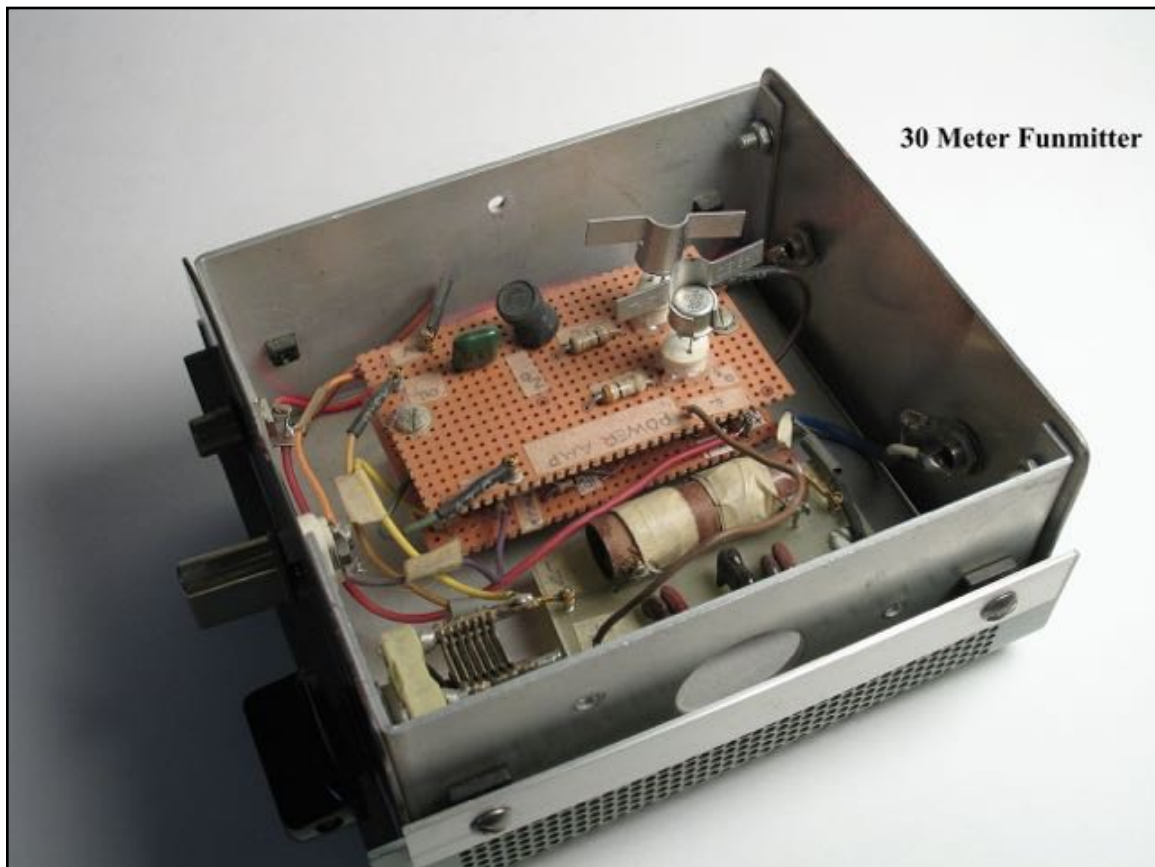
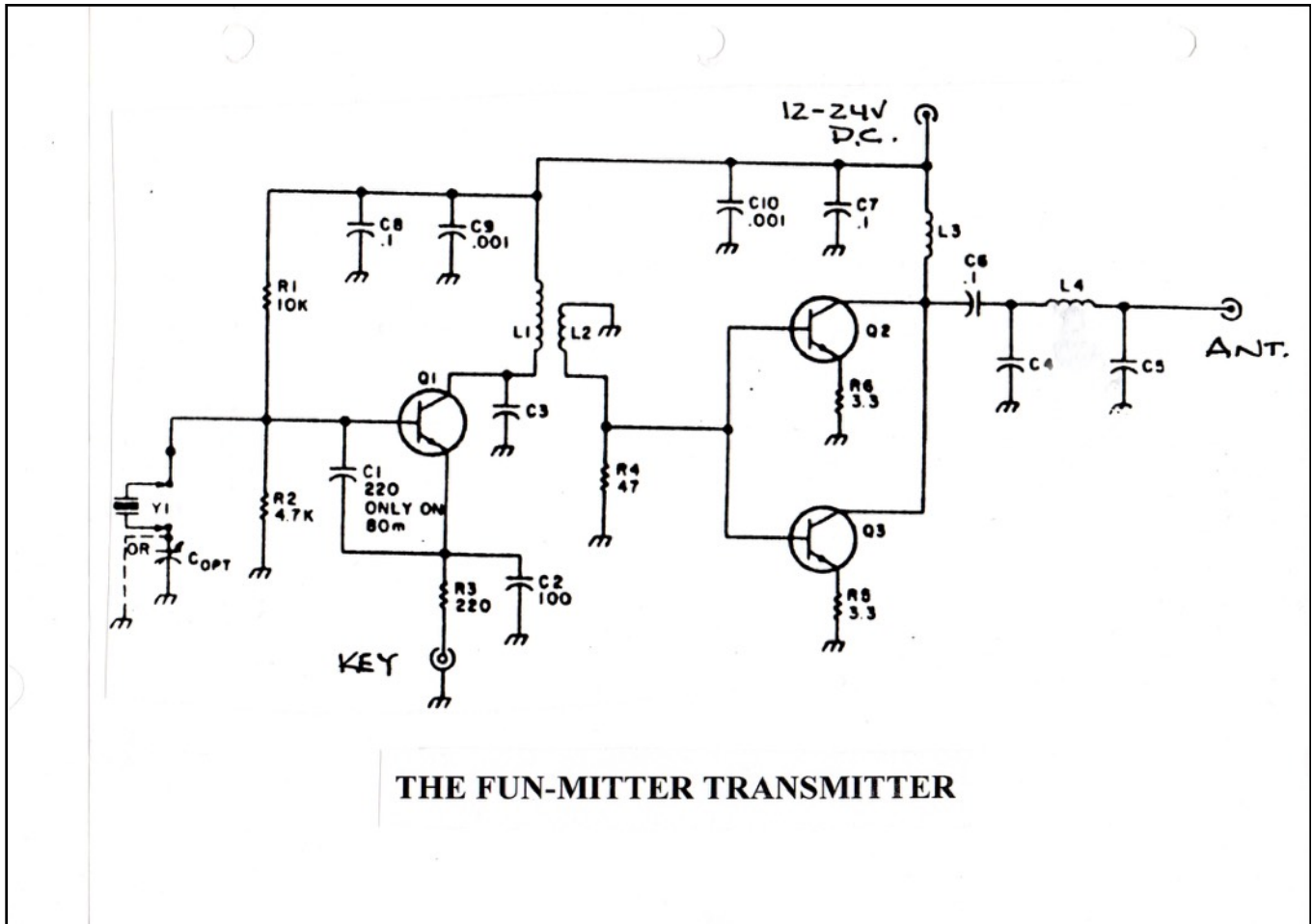
**30 Meter and 40 Meter Funmitters**

Modern ham radio gear are wonders of applied technology in design and manufacture. Advances in digital signal processing and noise reduction have made operating under the current conditions much more successful. Recently I came across a couple of old projects that put this in perspective and brought back some old memories.

I have been involved in QRP activities for over 20 years. Back in the early 90's when the QRP bug bit I was also inflicted with the homebrew bug. I wanted a taste of the real QRP experience ie. using a rig that you had built yourself. After researching many resorces both old and new I found what I was looking for.

The February 1981 73 magazine featured plans by WA0RBR to build the "Funmitter" a QRP transmitter for 40 Meters using easy to obtain components from the junkbox or Radio Shack. My junkbox contained most needed parts and the rest came from Radio Shack. The design was simple, a one transistor oscillator and a final amplifier with two transistors [2N3055] in parallel. It was designed to operate on 24 volts and had an output of 5 watts.

I decided to give it a try and eventually built a second one for 30 Meters. The components were mounted on perfboard using adhesive backed copper tape for the connections [ my homebrew solution for PC boards ] Slight changes were made to accomidate parts on hand mostly salvaged from other defunct electronic devices. The 40 meter version was packaged in an enclosure of unknown heritage and the 30 meter version in a recycled Heathkit keyer cabinet. The 30 meter version uses a variable cap to warp the crystal frequency. Both funmitters worked well with about 1.5 watts out on 12v and 4 watts out on 24v.





Many pleasurable contacts were made with both transmitters. As much as I appreciate operating modern gear it's nice to reflect on the satisfaction felt in those first steps into low power operating.

# BARBEQRPCon

BY JOCK, N1JI

Twelve NAQCC members attended the 5th annual BarbeQRPcon in New Hampshire on January 14th this year. The event, which is put on by the New England QRP Club, offers a break from the winter doldrums in the form of an outing to several ham-related stores and two restaurants. In other words, it's a full day of QRP camaraderie! Carl Achin, WA1ZCQ serves as BarbeQRPcon's organizer and unofficial master of ceremonies. The NAQCC was a strong presence at BarbeQRPcon this year, representing more than half of the QRPers present. Here is a list of those who were in attendance:

Carl Achin, WA1ZCQ (NAQCC #1792)  
Bruce Beford, N1RX (NAQCC #1286)  
Norm Charron, K1GRU (NAQCC #5396)  
Jim Fitton, W1FMR (NAQCC #701)  
John Griswold, KK1X (NAQCC #2198)  
Jock Irvine, N1JI (NAQCC #7012)  
Dave LeDuc, N1IX (NAQCC #1130)  
Paul Maciel, AK1P (NAQCC #4109)  
Dick Mayrand, K1IEE (NAQCC #3966)  
Arnie Olean, K0ZK (NAQCC #967)  
Bud Valcourt, NY1Z (NAQCC #4115)  
Barry Whittemore, NF1O (NAQCC #1637)

You can't have BarbeQRPcon with out barbecue, so the day started around 10:00 AM at Goody Cole's Smokehouse in Brentwood. Since the restaurant doesn't start serving food until 11:00, the first hour was spent socializing and checking out various pieces of gear that folks brought for show & tell. The owner seemed a bit worried at first because we took over the whole restaurant, but he was happy when it was time to order our food; Even though this was a QRP event, we all ordered QRO-sized meals! By the time all the orders had been placed, there were twenty-five people (including QRPers and their family members) in our group.

Around 12:30, with our bellies full of the best barbecue north of the Mason-Dixon line, we headed to our vehicles and formed a caravan for the 20-minute drive to Electronic Surplus Store (ESS) in Manchester. Communications took place on 146.52 and the local repeater using a mode that shall not be mentioned here. I dropped my wife and daughter off at the Mall of New Hampshire and brought my 2-year-old son to ESS. This is a veritable "Ham Heaven" with row after row of new and used components. I bought a battery and solar panel that I'm now using to run my QRP station "off the grid" and my son was fascinated with the colored LED display. Folks are invited to attend one, or all, of BarbeQRPcon's scheduled stops and we had thirteen QRPers in attendance at ESS, including two who didn't make it for the barbecue.

Next on the agenda was another caravan, this time to "Ham Nirvana," otherwise known as Ham Radio Outlet in Salem. My wife wasn't interested in this stop, either, so I dropped her and the kids off at another mall before joining the rest of the gang at HRO. Our group was shrinking, but we still had five die-hard QRPers in attendance as we walked through the door. We spent most of the time there chatting and looking at antennas and accessories; As far as I can tell, no one in our group showed any interest in the QRO rigs. It's nearly impossible to leave HRO without buying at least one thing, so I picked up some PowerPole connectors to use with my new battery.

After finishing up at HRO, we reformed the caravan and headed to our next stop; Harbor Freight Tools. QRPers are friendly, as well as thrifty, and Dave Koh, KE1LY, made sure that we all had a coupon for

20% off, plus a free digital multimeter. I'd never been to Harbor Freight before, so I was amazed at the array of tools and accessories in the store. We all bought some small items in order to get the free multimeter; I ended up getting some super-glue, shrink-wrap tubing and the multimeter, all for the bargain price of \$1.98.

Then it was back to the caravan for our last stop of the day; Bertucci's Italian restaurant at the Mall at Rockingham Park. We met my wife and kids at the restaurant and our group of eight enjoyed another "QRO" meal. Once again, the generous and frugal spirit of QRPer's was evident as Bud Valcourt, NY1Z, handed out 15% off coupons to everyone so that we could save some money on our meal. We had a great time talking over dinner and finished up around 6:30 PM. All in all, it was a great eight hours of QRP friendship and we all left looking forward to some other New England QRP events; Lobstercon and Chowdercon (Do you see a theme emerging here?).



*A little more than half of the folks who came to BarbeQRPcon enjoying the food at Goody Cole's Smokehouse.*



*A QRO-sized meal!*



*Just a small selection of the components available at Electronic Surplus Store.*



*My purchase at Harbor Freight Tools, all for \$1.98!*



*End of the day at Bertucci's - Left to right: Wayne Grant KB1HYL, Carl Aiken WA1ZCQ (NAQCC #1792), Jock Irvine N1JI (NAQCC #7012), N1JI's wife Dionna and kids, Bud Valcourt NY1Z (NAQCC #4115), David Koh KE1LY.*





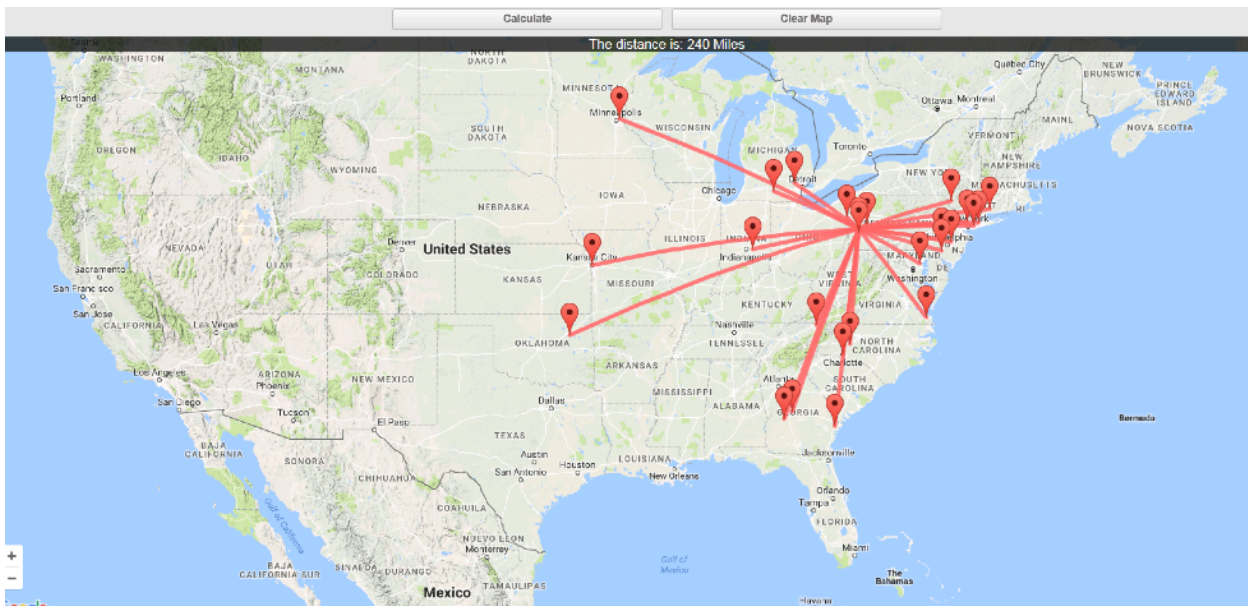
# DOES ANYONE HEAR ME? BY BERNIE, KQ3Z

So you're calling CQ and there's no answer. The band conditions aren't great but someone must hear me? Where is my signal going? Have you ever had these feelings? Especially when you're working at QRP power levels?

Well there's a way to take the data from the internet and construct a visual map to show exactly where your signal is going and it's received signal strength. I use the information to help tweak my antenna for better coverage. You all are probably familiar with the website Reverse Beacon Network. This site combines receivers from around the world and lists signals received along with their signal strength. The neat thing is you can do a search by call sign.

Enter your call sign and you will get a list of all the receivers that heard your signal along with the signal strength in db. You can further combine this information with a mapping website. I use, As The Crow Flies, to visibly plot how your signal is being transmitted over the entire US.

Here are two examples. The first shows the stations that I worked during the NAQCC December 2016 Sprint. The map gives a rough view of how my signal was being received during the contest. However, you still need to consider that I only worked these areas because stations were active in them. You can't work them if they're not on the air.



The second example is more representative of the recent poor band conditions with zero sun spots. The evening of January 12<sup>th</sup> was another of several days of zero sun spots. Listening to 80-meters that night yielded very few stations on the air. Copying their conversations, I found that all were operating at 100 watts or greater power levels.

I called CQ at 5 watts for several minutes with no response. I wondered if my signal was even being heard. I did a search by my call sign on Reverse Beacon Network and then plotted the results on As The Crow Flies. See below for a list of receivers that heard my signal, its signal strength and a visual of where I was being heard at that moment.

Reverse Beacon search by my call sign, KQ3Z, listed the following stations that received my signal:

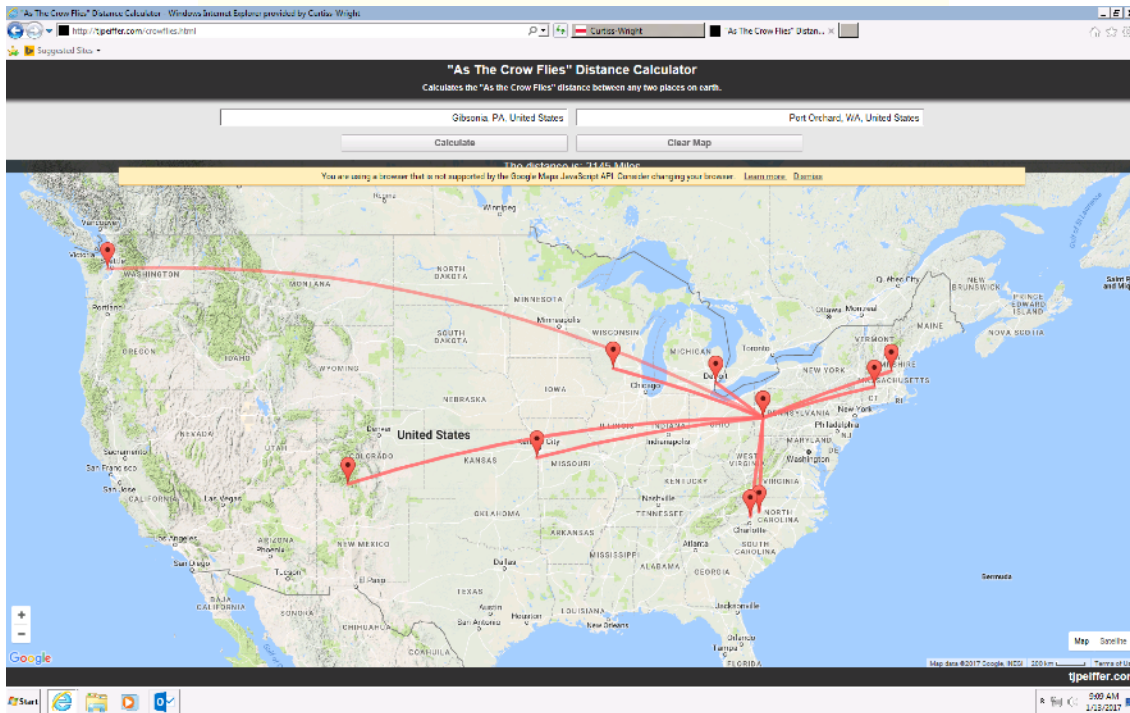
●●○○ Verizon 4:40 PM 98%  
reversebeacon.net

[show/hide my last filters](#)

showing spots for DX call: KQ3Z

[search spot by callsign](#)

de	dx	freq	cq/dx	snr
W3OA	KQ3Z	3545.7	CW CQ [LoTW]	9 dB
K9IMM	KQ3Z	3545.7	CW CQ [LoTW]	31 dB
AC0C	KQ3Z	3545.7	CW CQ [LoTW]	6 dB
VE3EID	KQ3Z	3545.7	CW CQ [LoTW]	21 dB
KM3T	KQ3Z	3545.7	CW CQ [LoTW]	23 dB
AA4VV	KQ3Z	3545.7	CW CQ [LoTW]	14 dB
W1NT	KQ3Z	3545.7	CW CQ [LoTW]	11 dB
WB6BEE	KQ3Z	3545.7	CW CQ [LoTW]	5 dB
W7HR	KQ3Z	3545.7	CW CQ [LoTW]	13 dB
VE3EID	KQ3Z	3545.7	CW CQ [LoTW]	19 dB
K9IMM	KQ3Z	3545.7	CW CQ [LoTW]	25 dB
AC0C	KQ3Z	3545.7	CW CQ [LoTW]	8 dB
KM3T	KQ3Z	3545.7	CW CQ [LoTW]	20 dB
W1NT	KQ3Z	3545.7	CW CQ [LoTW]	10 dB
W3OA	KQ3Z	3545.7	CW CQ [LoTW]	10 dB



A few minutes later I made contact with KC4JWO in Williston, FL and we had a nice long QSO. He was at 100 watts and I was at five.



# MEMBER SPOTLIGHT



Each month one of our members is randomly selected and asked to share their ham radio biography with all of us. Questions or comments should go to Paul, KD2MX.

DISCLAIMER: Any views expressed in this section are those of the submitting member and may or may not be those of the NAQCC or its officers.

## DAVE BELVILLE, KD9VT, #8323



Hello everyone. I'm Dave, KD9VT (NAQCC 8323) and I am honored to have been chosen for the Member Spotlight this month. I am 62-years-old and am retiring at the end of the February. I am semi-retired now and only work three days a week. I am a Systems Engineer in the IT industry and work for a small company in Iowa. I have a beautiful, loving wife, five wonderful children and four even more wonderful grandchildren. My QTH is Silvis, IL which is in the Iowa/Illinois Quad City area on the Mississippi river.

When I was very young (seven or eight years old) I had a strong desire to know how things worked. I would take anything apart (and could usually put it back together...but not always) to see how it worked. It wasn't long until electronic items grabbed my interest. My dad bought me a book titled "A Boy and a Battery" and that did it. I was hooked on all things electric. I learned quickly that electricity was something to be very careful with. The learning experience wasn't pleasant, but it was a good lesson.

By the time I was ten, I had fixed my first AM broadcast band receiver. A neighbor gave it to me because it had a loud hum. Having only played with low voltage DC after my 'learning experience', I didn't know for sure why the radio would do that. I put it on the table in my room for a few days and went to the library. I found a book on radio repair and one of the chapters was about filtering 60-cycle hum in a power supply.

I read that entire book several times and then sat down at the table to try my hand at fixing that radio. I knew that it was probably going to be a capacitor causing the problem but there were a lot of capacitors on the bottom of that chassis and I had no idea which one would make the radio hum.

After some poking around and looking at where the various components were hooked up and what they seemed to be attached to, I found that this one large capacitor was connected to a strange looking finned device that I was not sure of its function. After following wires and connections, I decided that the device was connected to the big transformer on the top of the chassis. Since the transformer was connected to the AC power, I was sure that capacitor had to be the culprit. The leads were long enough that I could cut them (so I could remember where it was connected).

So, I cut the leads, took the big capacitor and walked over to the Team Electronics store that was a couple blocks from our house. I told the man at the counter what I was doing and that I thought this capacitor was the problem. He looked at me and said, "Well, you may be right". He dug around in a box and gave me one that looked similar but the numbers on it (rating) were higher. He said, "Try it, it should work". I asked him how much it cost and he said, "Take it and let me know if it fixes the problem". So, I thanked him and took it home. I was so excited about the prospect of fixing that old radio.

I had a paper route in those days and almost ran through the entire (100+ papers) route that day. I couldn't wait to get home. I ran to my room and pulled out the big soldering gun my dad gave me (it was his but he never used it). I was not confident about soldering in a tight area and wasn't sure how to get all of the old solder off to solder the new capacitor in its place. I had noticed that there was a plus sign on one end so I looked at the old one to see if it had one. It did not have a plus sign but it did have a minus sign so I assumed the other end must be the plus end. I knew from my book and my battery experiments that with DC voltage, polarity was important but this radio ran on AC power!

I wasn't sure why it would matter but I put the new capacitor in the same as the old one by neatly wrapping the leads on the new one with the leads I had left in place from the old one and soldering them together. I neatly tucked it up in the chassis where the old one was. I put the chassis back in the plastic enclosure, held my breath and plugged it in. After a few seconds, the radio came to life and I couldn't believe it. There was sound with NO HUM!

I called my parents to my room to show off my work and I will never forget the smile on my dad's face. I had one more person to tell. I ran over to the Team Electronics store to tell the man that gave me the capacitor about my repair job. He congratulated me and shook my hand. His name was John and I will never forget him. He gave me an after school job when I was thirteen.

OK, fast forward three years. I am more interested in electronics than ever. My cousin, who happened to be a ham, was very supportive and helpful. He worked as a technician in a company that built electronic controls. He would always bring me relays, diodes, capacitors, resistors, etc. that were no longer being used and they did not want. I believe they had a major housecleaning once because he brought me boxes of stuff which included not only the usual but enclosures, connectors, wire, transformers, tubes, you name it. I was a boy in electronics heaven.

Not long after that, he started me building. We went through the boxes and pulled out an enclosure, transformer, diodes, capacitors, binding posts, fuse holder, power cord and a couple of terminal strips. He handed me a schematic and said, "I will be back in a couple days". Wow, I was going to build something, but what was it? I looked at the schematic a while and it dawned on me. A power supply!

I worked on it for two days trying to get holes drilled, parts mounted, etc. Finally, it was done. I got out my VOM and connected it to the binding posts. I was so excited I couldn't wait. I plugged it in and turned it on.....nothing. The voltmeter didn't move. So, I opened it up and spent two hours making sure it was wired right. It looked right so why didn't it work? Frustrated, I unplugged it and left it for a while.

Then, it dawned on me. I will trace the circuit using my VOM until I find the spot where there is voltage. It took me awhile but I found the problem. There was no fuse in the fuse holder. I put one in it and IT WORKED! The little neon light came on and the VOM needle moved up to about 12 volts. I felt like Dr. Frankenstein....It's alive!! When my cousin came over, he checked it and helped me neaten it up a little and said, "Good job". That's it, I was hooked on electronics.

Shortly after my power supply project, my cousin, whose name was also Dave, showed me his shack. I remember the D104 microphone sitting there just crying to be talked to. He fired things up and looked out the window while he tuned his antenna (he was watching a bulb to get it as bright as he could). He pulled the microphone over and called CQ.

I still remember his voice, the way he called, and the phonetics he used. I even remember his call. CQ CQ Kilo Nine Baker Easy Sugar.....finally someone answered and I was amazed. I started going to hamfests with him and one day we came home with a big Hallicrafters receiver and a speaker for it. We set it up and hooked a piece of wire to the antenna connection but didn't hear much but noise. He said, "I will be over on Saturday and we will put up a dipole". A dipole? What the heck is a dipole? A trip to the library answered that question.

On Saturday, he showed up with some coax, insulators, stranded copper cable, etc. and four hours later, I was hearing all kinds of things on my new receiver. What was I hearing though? Then, he pulled a device out of his box, plugged it in, and waited for the tube to warm up. It made a nice sounding tone. He pulled out a straight key and a paper with the Morse code letters on it. He showed me how to send and said, "Practice every day". I did, I practiced every day. I could send every letter and number at probably eight to ten WPM. I was sure I was going to be a Super Ham.

Dave came back a few days later and I showed him how well I could send Morse. He said, "Great, now let me send and you copy". What? I had to copy it and write it? What a letdown. I could send it but what the heck was I hearing? I got about one of every five letters.

He smiled and said, "Use your tape recorder and record yourself sending. Then, play it back and copy it". I did that and soon, I could copy at five WPM. He also had me listening to my receiver to try and copy actual QSOs. There weren't many I could copy well but I finally got good enough that he decided I should take the novice code test. We went to some guy's house and I sent my beautiful code to him and he sent something that vaguely resembled my code to me. I guess I did well enough because my cousin said, "Now, we have to work on the theory portion".

We never got to the theory. About a week later, a big storm came through in the night and blew the huge tree that my dipole was connected to over. It ripped the cable off the house and since the coax was very securely attached, it pulled my receiver right off the table and through the window it sat in front of. The tree hit the house and mom and dad came running because they heard the noise in my room. I will never forget that night. It was the night my Ham Radio career literally went out the window.

I continued with my electronics hobby and took some electronics training correspondence courses but never did anything more with Ham Radio.....until almost 50 years later.

In the summer of 2014, something sparked a renewed interest in Ham Radio in me. I decided that I was getting close to retirement age and wanted a year round hobby. I have never really had a hobby that held my interest for very long; but I was sure Amateur Radio would be different. Boy is it.

I researched license procedures, purchased the Technician class license manual and started studying. Morse code is no longer a requirement so hey, it is easier than before. I was through the manual in a couple weeks. I knew the answer to every sample question. I decided it was time.

I contacted a local club (Green River Valley Amateur Radio Society) and sent an inquiry to the club contact. It wasn't long before I got a response telling me about the club and when the next meeting was. I went to the meeting and asked for someone named Pete. That was the day I knew this hobby was for me. Pete (NN9K) quickly became my Elmer and a good friend. He got me going quickly and loaned me everything I needed to get on the air when I got my license. I tested at that meeting and passed the Technician element.

Even though I had not studied for it, I tried the General exam but missed it by one. Darn, one question. Oh well, I had earned a license and could get on the air. My very first QSO was with Pete. I was shaking and could hardly talk but I did it. I had my first QSO. I was a ham now. Two months later I tested for General and Extra. I got my Extra that day and couldn't wait to try it out. Pete helped me and supported me every step of the way.

It wasn't long before Pete suggested that I start to learn Morse. I was having so much fun with SSB that I wondered why I should learn it, but I did. I tried on my own and even though I was learning, I wanted to learn faster. I enrolled in a CW Ops CW Academy class. That did it, I wanted to do this. I practiced 3-4 hours per day and passed the class.

I felt confident enough to get on the air with CW. I was nervous as heck but I did it. That was February of 2016, about one year ago. You know who my first CW QSO was with right? Yep, it was Pete; my Elmer and very best friend.

One thing I immediately learned was that Morse copied on the air is much different than copying it from a computer. I knew the characters and what they sounded like but...what the heck was he sending? I only got about half of what he sent but I was happy. I worked all of the CW I could and built my confidence. I looked for stations calling CQ at my speed. There were a lot of them so I got lots of practice. As my confidence and ability grew, so did my interest. I joined a couple of clubs (SKCC and NAQCC) and participated in some sprints and contests. I did quite well in some of them and it made me more determined to build my skills. Pretty soon, I unhooked the microphone and put it on the shelf. I have not used it since June of last year.

I have participated in several NAQCC events. I was one of four N9A operators during the 12<sup>th</sup> Anniversary week and have received some nice wallpaper. I have found that QRP is not only more challenging, but is more exciting. I sometimes operate QRPp and am amazed at what you can do with 500mw and a piece of wire. I belong to the NAQCC Illowa chapter (The "Quad Cities" area of IL/IA) and have made even more good friends. I really enjoy portable QRP operating and sometimes sit in the backyard to play.

For QRP, I have a K1 that I built from a kit, a KX2 and a HB1B. I can't tell you how many antennas and tuners I have built and tried. I will continue to do that too. Experimenting is part of the hobby and I do a lot of it. A few times I have wished I hadn't but it is all part of the learning process. I have found that for me, CW is the only mode I need; and for fun and challenging things to do, NAQCC is the only club I need.

Five watts, a wire and NAQCC....it doesn't get any better.

Thank you all for the good times you have given me. By the time you read this, I will be close to fully retired. I hope that after I am, I get to know a lot more of you.



# NAQCC SPRINTS

**CURRENT MONTH'S SPRINT:** Our February sprint will be on the 22nd, 0130-0330 UTC. That's the evening of the 21st here in North America. *Please note that this is an adjusted date from our usual 2nd Tuesday schedule due to a conflict with Valentine's Day.* So be sure to get a card and a box of chocolates for your "significant other" on the 14th and then you can peacefully operate in the sprint a week later. Details can be seen at <http://www.naqcc.info/sprint/sprint201702.html>.

Please remember to strive for that perfectly formatted "SILVER LOG" submission. It really helps our log processing. Everything that you need to know about how to have a Silver Log can be found at <http://naqcc.info/GLCheckList.txt>.

Complete sprint rules and information on log submissions can be found at <http://naqcc.info/contests.html>.

We occasionally get questions from sprint participants about how to use the GenLog software to log and report their contacts. Most of the time the answers to these questions can be found in the excellent illustrated tutorial written by KB8FE and found at [http://www.naqcc.info/sprint\\_genlog\\_tutorial.html](http://www.naqcc.info/sprint_genlog_tutorial.html). Alternatively, a logging spreadsheet for Mac OS X computer users is available at [http://www.naqcc.info/sprint\\_macs.html](http://www.naqcc.info/sprint_macs.html).

**LAST MONTH'S SPRINT RESULTS:** Participation was a little bit down in our regular January sprint with 109 submitted logs and 155 total participants. As everyone knows, conditions have not been very good lately and that probably was a big factor in these counts. Nevertheless some very impressive scores were recorded. Of particular note were K4BAI's 50 contacts and AB8RL's 43 contacts in the straight key category. Do we have an "Iron Man" award? Recuperative physical therapy will probably be needed! K3WWP also made 50 QSOs using a bug.

We also had our annual 160-meter sprint on the 25th. There was a good turnout for the sprint and many participants reported fairly good conditions. Here is what K4ORD said: *"Set my goal at 25 qso's, easily beat that due to the good turnout and good conditions, some signals were a real S9 and one from NC was a good ten over S9!"* And here is what first-timer AA2VG had to say: *"Amazed! This was my first 160 sprint. My question going into the sprint was how can you make a qrp contact on this band that is almost always filled with QRN and most Hams run amplifiers? I was surprised at how quiet the band was. Using 5 watts I made a bunch of contacts even to FL."*

Complete sprint results, including soapbox comments, can be seen at <http://www.naqcc.info/sprint/sprint201701.html> and [http://www.naqcc.info/sprint/sprint201701\\_160.html](http://www.naqcc.info/sprint/sprint201701_160.html) and summary information can be seen in the tables on the following pages.

We would especially like to welcome our first-time log reporters. We hope that you had a great time and will return often: W4MJE (nm) VA7CDB KA0OBI K4VOZ KA3OCS K9CW KC1GSL WZ4M

**PARTICIPATION ELIGIBILITY:** Remember that participating in a combination of sprints and challenges will make you eligible for the top-tier prizes in our anniversary drawing in October. So start working on it now. Eligibility details at [http://www.naqcc.info/prize\\_drawing\\_12th\\_anniv.html](http://www.naqcc.info/prize_drawing_12th_anniv.html).

SWA STRAIGHT KEY CATEGORY			
Division	1st	2nd	3rd
W1	KN1H	WB1GYZ	
W2	AA2VG	W2JEK	
W3	AB3RU	KD3CA	
W4	K4BAI	WH6LE	AA4XX
W5	N5GW	WB5UAA	
W6	K6MGO		
W7	KF7WNS		
W8	AB8RL	WV8DH	
W9	WB9HFK	KD9VT	
W0	AA0W	KD0DK	
VE			
DX			

SWA BUG CATEGORY			
Division	1st	2nd	3rd
W1	K1TB		
W2	WB2LQF		
W3	K3WWP		
W4	KJ4R		
W5	W5ODS		
W6			
W7	N7QR		
W8	N8XMS		
W9			
W0	WD0K		
VE			
DX			

SWA KEYER/KEYBOARD CATEGORY			
Division	1st	2nd	3rd
W1	N2CN		
W2	N2ESE		
W3	KC3RN		
W4	WB4OMM	K2YGM	
W5			
W6			
W7	KF7Z		
W8	WA8SAN		
W9	NN9K		
W0	K9OSC		
VE	VE3IDS		
DX			

GAIN CATEGORY			
KEY==>	SK	BUG	K/K
			K7TQ

FIRST TIME ENTRANT HIGH SCORE			
KEY==>	SK	BUG	K/K
	KC1GSL		K9CW
PRIZE DRAWING WINNER			
K2JT			



	Current Month	Previous Month	All-Time Record	Record Date
Logs	111	136	194	2/13
Participants	155	185	269	2/13
Total QSOs	1345	1620	2804	2/13
Hour 1 QSOs	780	921	1468	2/13
Hour 2 QSOs	565	725	1334	2/13
20m QSOs	0	22	1232	8/13
40m QSOs	513	800	1534	4/12
80m QSOs	832	824	1417	2/13
Avg QSOs/Station	12.1	12.0	19.3	9/11

**SPRINT HONOR ROLL:** We honor the following members for their outstanding participation over the years in our regular sprints. Exact counts can be seen at [http://naqcc.info/sprint\\_dates.html](http://naqcc.info/sprint_dates.html).

NUMBER OF SPRINTS	MEMBERS
50+	K4ORD K9EYT KB0ETU K9OSC KA9FQG K6MGO NA4O N8BB WG8Y AA7CU KC2EGL VE5BCS N2ESE K6CSL N8QY WA8SAN N0TA WX4RM WD0K K4KRW NQ2W KB8FE NO2D WY3H AA9L KQ1P KE5YUM NU7T
75+	W4DUK WB8ENE WA2JSG VE3FUJ K1IEE N4FI KD0V K3RLL NF8M KU4A K4JPN K4NVJ KB3AAG
100+	KD2MX N8XMS K4BAI WB8LZG W2SH W9CC
125+	W2JEK KA2KGP K3WWP

SWA STRAIGHT KEY CATEGORY 160-M SPRINT			
Division	1st	2nd	3rd
W1	KN1H		
W2	W2SH	AA2VG	
W3	W3TS		
W4	AA4XX	WG8Y	
W5	N5GW		
W6			
W7	K9JMV		
W8	NF8M		
W9	WB9HFK		
W0			
VE	VE3DQN		
DX			

SWA BUG CATEGORY 160-M SPRINT			
Division	1st	2nd	3rd
W1			
W2			
W3	K3WWP		
W4	WA2EDN		
W5	NF5U		
W6			
W7			
W8	K8JD		
W9	N9SE		
W0	KD0V		
VE			
DX			

SWA KEYER/KEYBOARD CATEGORY 160-M SPRINT			
Division	1st	2nd	3rd
W1	K1WHS	N1IX	
W2	N2ESE		
W3	N3TWM		
W4	AA2EA		
W5			
W6			
W7			
W8	W8AKS		
W9	K9CW		
W0			
VE			
DX			

GAIN CATEGORY 160-M SPRINT			
KEY==>	SK	BUG	K/K

FIRST TIME ENTRANT HIGH SCORE 160-M SPRINT			
KEY==>	SK	BUG	K/K
	AA4XX		K1WHS
PRIZE DRAWING WINNER 160-M SPRINT			
AA4GA			



# NAQCC CHALLENGES

**CURRENT MONTH'S CHALLENGE:** This month we have a QRPP challenge but we are definitely upping the ante this year. The challenge is to make at least 15 QSOs running 1 watt or less but the added twist is that at least 2 of your contacts must be DX! (I'm personally thinking that my best chance will be C&C = Canada and Caribbean!) It should be fun! Complete details for this challenge can be seen at <http://www.naqcc.info/challenges/challenges201702.html>.

The European challenge is an alphabet challenge involving some famous European composers. You can find complete details, and hear some great music, at <http://naqcc-eu.org/eu-challenges/february-2017-challenge/>.

**NEXT MONTH'S CHALLENGE:** The North American challenge for March will have your mouth watering for some "good" chocolate. (NOT!) That's all I'm going to say. Go to <http://www.naqcc.info/challenges/challenges201703.html> for more information.

The European challenge for March can be seen at <http://naqcc-eu.org/eu-challenges/march-2017-challenge/>.

Complete information about our challenges including a helpful tutorial on how to organize your work for an alphabet challenge can be found at <http://naqcc.info/challenges.html>. Detailed general rules for our challenges can be found at [http://naqcc.info/challenges\\_rules.html](http://naqcc.info/challenges_rules.html).

**LAST MONTH'S CHALLENGE:** The deadline for submitting entries for the January challenge is still a few days away so final results are not yet available. You can go to <http://www.naqcc.info/challenges/challenges201701.html> to see what has been posted so far, and the final results will also be posted there shortly after the 10th of the month.

The European challenge results will be available at <http://naqcc-eu.org/eu-challenges/january-2017-challenge/>.

**PARTICIPATION ELIGIBILITY:** Remember that participating in a combination of sprints and challenges will make you eligible for the top-tier prizes in our anniversary drawing in October. So start working on it now. Eligibility details at [http://www.naqcc.info/prize\\_drawing\\_12th\\_anniv.html](http://www.naqcc.info/prize_drawing_12th_anniv.html).

**CHALLENGE HONOR ROLL:** We honor the following members for their outstanding participation over the years in our monthly challenges. Exact counts can be seen at [http://www.naqcc.info/challenges\\_schedule.html](http://www.naqcc.info/challenges_schedule.html).

NUMBER OF CHALLENGES	MEMBERS
25+	N1JI PA0XAW KD2MX N1LU KD0V K9OSC VE3HUR KU4A WY3H
50+	K1YAN VE3FUJ NU7T
75+	K1IEE
100+	N8XMS W2JEK
125+	K3WWP



# NAQCC AWARDS

We have an extensive list of awards that you can earn. Complete details can be found at <http://naqcc.info/awards.html>.

## FEATURED AWARD: SUFFIX WORDS AWARD

This month we would like to talk about an award that many of you probably already qualify for - the Suffix Words Award. The idea of this award is simple, just use QRP and CW (duh) to work stations with callsigns that spell out words with the letters that are after the number (the suffix). For example K9**IT**, KB5**FOG**, or W1**MOO**. (All of the letters in the suffix must be used - W5ISX would not give the word "IS.") To remove any debate about whether or not something is a real word we use the official list of 2 and 3 letter words from the National Scrabble Association. Collecting 50 such callsigns will earn you a certificate. You can find the complete details about this award, along with the list of accepted words, at [http://www.naqcc.info/awards\\_words.html](http://www.naqcc.info/awards_words.html).

## RECENTLY ISSUED AWARDS:

### 2016 PARTICIPATION AWARD

W1	N1JI	36 (tie)	01/30/17
W1	K1IEE	36 (tie)	01/30/17
W2	W2JEK	32	01/30/17
W3	K3WWP	36	01/30/17
W4	K4UA	22	01/30/17
W5	W15H	34	01/30/17
W6	K6MGO	11	01/30/17
W7	KF7WNS	17	01/30/17
W8	N8XMS	36	01/30/17
W9	N9SE	36	01/30/17
W0	K9OSC	27	01/30/17
VE	VE3DQN	27	01/30/17
DX	PA0XAW	11 (tie)	01/30/17
DX	PA9CW	11 (tie)	01/30/17

There was a 5-way tie for maximum participation points - K1IEE, N1JI, K3WWP, N8XMS, and N9SE. Three of these are previous winners and were not eligible for the FISTS membership prize. A random drawing was held and the winner for 2016 is K3WWP.

### 1000 MPW AWARD

0528	KE5YUM	VK2DX	-	1,724	02/02/17	Dipole @16'
0527	KC7DM	N5GW	-	1,857	02/02/17	450' Horz Loop @60'



# NAQCC QRS/QRQ NETS

We have a number of nets (QRS = slow speed, QRQ = higher speed) designed to help people build up their CW operating skills. Complete information about these nets can be found at [http://naqcc.info/cw\\_nets.html](http://naqcc.info/cw_nets.html). Questions should be directed to Net Manager Wayne, NQ0RP.

## NAQCC NET SCHEDULE

Net	Local Time	UTC	Freq +/-	Primary NCS
Farnsword 40/80 m QRQ Nets (FRN)	Sunday 4:00/6:00 PM PT	Monday 0000/0200 Z	7056/3556 KHz	Rick, N6IET (in CA)
East Texas QRS Net (ETN)	Monday 7 PM CT	Tuesday 0100 Z	3564 KHz	Allen, KA5TJS (in TX)
Midwest Net QRS Net (MWN)	Monday 7:30 PM CT	Tuesday 0130 Z	3556 KHz	Wayne, NQ0RP (in KS)
Rocky Mtn Regional/Continental QRS Nets (RMRc)	Tues/Thurs 4:00 PM MT	Tues/Thurs 2300 Z	14060 KHz	Dale, WC7S (in WY)
Rocky Mtn Regional/Continental QRS Nets (RMRc)	Tues/Thurs 4:30 PM MT	Tues/Thurs 2330 Z	7062.5 KHz	Dale, WC7S (in WY)
West Virginia QRS Net (WVN)	Wednesday 9 PM ET	Thursday 0200 Z	7117 KHz	John, N8ZYA (in WV)
Pacific Northwest 80 m QRS Net (PNW80)	Thursday 7 PM PT	Friday 0300 Z	3574 KHz	Stewart, KE7LKW (in WA)

**Note:** On the rare occasions that there is a conflict between one of our scheduled nets and one of our regular sprints the sprint will take precedence.

## NET CONTROL STATION REPORTS

### NAQCC Farnsword Net (FRN) QRQ 40/80 Meter Nets

**Sunday evenings 4:00 PM PST, which is Monday 0000 UTC on 7056 kHz +/-**

**Sunday evenings 6:00 PM PST, which is Monday 0200 UTC on 3556 kHz +/-**

**Main NCS - Rick N6IET (California); Backup NCS - JB NR5NN (California)**

2017-01-01 80m QNI (2) NCS N6IET, KW6G, W7SAG  
 2017-01-08 40m QNI (3) NCS N6IET, KE6EE, K7KY  
 2017-01-08 80m QNI (3) NCS N6IET, KW6G, KE6EE  
 2017-01-16 40m QNI (4) NCS N6IET, Co-NCS N7HRK/M, KW6G, NR5NN  
 2017-01-16 80m QNI (3) NCS N6IET, NR5NN, KE6EE  
 2017-01-23 40m QNI (5) NCS N6IET, AI6SL, N7HRK/M, KW6G, W7SAG  
 2017-01-23 80m QNI (4) NCS N6IET, KW6G, W7SAG, NR5NN  
 2017-01-30 40m QNI (7) NCS N6IET Co-NCS N7HRK/M, KW6G, KE6EE, AI6SL, K7KY, W7SAG  
 2017-01-30 80m QNI (5) NCS N6IET, NR5NN/R5, KW6G, KE6EE, WU7F

We will continue to meet twice on Sunday on the same schedule during the month of February. In March I'll consider moving both nets to later times to take maximum advantage of seasonal changes in 40- and 80-meter propagation.

The current schedule is a bit inconvenient for some who like to participate, but these times take maximum advantage of short

F2 skip (NVIS) with low D absorption. I've been noting the fxF2 index at the top of each band's weekly commentary, which index (based on tests conducted from Point Arguello between San Luis Obispo and Santa Barbara) seems to be most predictive of HF propagation and NVIS here in Coastal California. It is less accurate for states north of California, as the strength of the F2 layer diminishes at the higher latitudes. For example, N7HRK/M in Libby, Montana, and W7SAG in Eagle, Idaho, can rarely hear each other at about 350 miles apart.

Indeed, we've had near NVIS conditions at the beginning of each 40-meter net this past month, with the band tending to 'go long' halfway through the net such that stations closer than 400 miles stop hearing each other. For that reason I sometimes recruit either N7HRK or W7SAG to close the net after SF Bay area stations stop hearing me. If we started half an hour later, most of us wouldn't hear each other from the git go.

Likewise, we've mostly had good NVIS conditions on 80 meters at net start two hours later, with the band going long 15 to 30 minutes into the net. A few people check into both nets, but each net also attracts several unique check-ins, as you can see by the QNI reports.

I'm thinking of putting up a 160-meter trap dipole and forming a 160-meter FRN that could meet much later at, say, 0400z. Speaking of which, there was quite a bit of activity here in the western states during the CQ 160-meter CW contest last weekend, mostly between 1810 and 1830 kHz.

72/73 de Rick N6IET

=====

**NAQCC East Texas QRS Net (ETN)**

**Monday evenings 7:00 PM CST, which is Tuesday 0100 UTC, on 3561 kHz +/-**

**Main NCS - Allen KA5TJS (Texas)**

1/3/2017 QNI(3) NCS KA5TJS KE5YGA KE5YUM

1/17/2017 QNI(2) NCS KA5TJS KE5YUM - Terry had a great signal tonight from North TX.

1/24/2017 QNI(2) NCS KA5TJS KE5YGA - Had a good QSO with Andy. The band was in good shape but QRN level was pretty high.

1/31/2017 QNI(4) NCS KA5TJS KE5YUM KE5YGA WI5H - 80 meters was a little noisy last night but had a good copy on all stations.

Allen KA5TJS

=====

**NAQCC MIDWEST QRS Net (MWN)**

**Monday evenings 7:00 PM CST, which is Tuesday 0100 UTC, on 7117 kHz +/-**

**Main NCS - Wayne NQ0RP (Kansas)**

1/9/2017 QNI (1) NCS NQ0RP

1/16/2017 QNI (2) NCS NQ0RP KB7KY

1/23/2016 QNI (1) NCS NQ0RP

1/30/2017 - No Net.

=====

**NAQCC Rocky Mountain Regional/Continental QRS Nets (RMRc)**

**Tuesday/Thursday at 4:00 PM MST, which is Tuesday/Thursday 2300 UTC, on 14060 kHz**

**Tuesday/Thursday at 4:30 PM MST, which is Tuesday/Thursday 2330 UTC, on 7062.5 kHz.**

**(BOTH FREQ SHOWN ON ONE LINE)**

**Main NCS - Dale WC7S (Wyoming)**

20M, 14.062.5 MHz and 40M, 7.062.5 MHz (BOTH FREQ SHOWN ON ONE LINE)

12-01-2016 QNI (3) NCS WC7S, AA7CU, N6MY

12-06-2016 QNI (4 ) NCS WC7S, K0DTJ(2), VE3PVI

12-08-2016 QNI (4) NCS WC7S, AA7CU, K0DTJ(2)

12-13-2016 QNI (6) NCS WC7S, K0DTJ(2), NK6A, AA7CU, AF5AF

12-15-2016 QNI (7) NCS WC7S, AA7CU, K0DTJ (2), KZ9A

12-20-2016 QNI (5) WC7S, K0DTJ(2), WA1ZRU, AA7CU

12-22-2016 QNI (5) WC7S, K0DTJ (2X), AA7CU, KY4O

12-27-2016 QNI (4) WC7S, K0DTJ(2), AA7CU

HNY Y'ALL

1-3-2017 QNI (5) NCS WC7S, K0DTJ (2), AA7CU

1-5-2017 QNI (5) NCS WC7S, K0DTJ (2), AA7CU

1-12-2017 QNI (6) NCS WC7S, K0DTJ (2),AA7CU,KD3CA

1-17-2017 QNI (4) NCS WC7S, W6TDX, AA7CU

1-19-2017 QNI (7) NCS WC7S, K0DTJ(2), AA7CU, AB4QL,W2RE

1-24-2017 QNI (5) NCS WC7S, K0DTJ(2), AA7CU

1-26-2017 QNI () NCS WC7S, K0DTJ, (2), AA7CU

=====

**NAQCC West Virginia QRS NET (WVN)**

**Wednesday evenings 9:00 EST, which is Thursday 0200 UTC on 7117 kHz.**

**Main NCS - John N8ZYA (West Virginia)**

NCS N8ZYA - horrible band conditions. Not hearing anyone tonight.

No other reports.

=====

**NAQCC Pacific Northwest QRS 80 Meter Net (PNW80)**

**Thursday evenings 7:00 PM PST, which is Friday 0300 UTC on 3574 kHz.**

**Main NCS - Stewart KE7LKW (Washington State)**

01-06-2016 QNI (6) KE7LKW NCS, KG7JEB, W7ANM, K7JUV, WB4SPB, AD7BP

01-13-2016 QNI (5) KE7LKW NCS, KG7JEB, W7ANM, K7JUV, WB4SPB.

01-20-2016 QNI (8) KE7LKW/7 NCS, KG7JEB, W7ANM, K7JUV, WB4SPB, AD7BP, WO6M, N5DJY.

01-27-2016 QNI (6) KE7LKW/7 NCS, KG7JEB, W7ANM, K7JUV, WB4SPB, NB7M.

=====



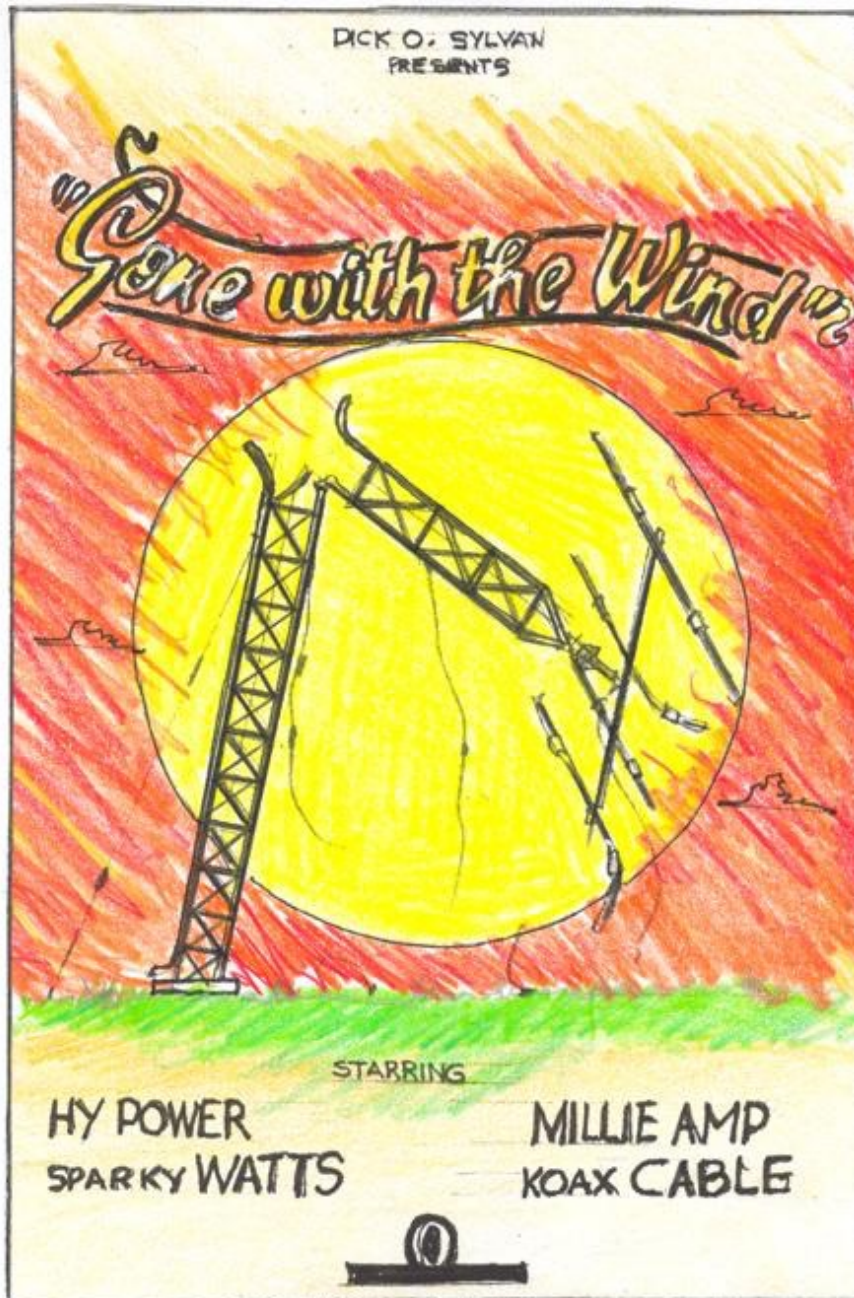


# HAM QUIPS



Dick Sylvan, W9CBT, #2062, has been a QRP/CW operator for a long time. He is also a very accomplished ham radio cartoonist and his work has appeared previously in the K9YA Telegraph newsletter. His book "HI HI - A Collection of Ham Radio Cartoons" is available at [www.lulu.com](http://www.lulu.com).

## HAM QUIPS OLD MOVIE POSTERS



© 9-08-06 DICK SYLVAN, W9CBT



# NAQCC CHAPTER NEWS

The North American QRP CW Club currently has eight local chapters - Europe, Western Pennsylvania, West Virginia, West Florida, Central Texas, Illowa, Delmarva, and Florida - but we would be more than happy to expand on that list. Chapters are more or less independent local gatherings organized by NAQCC members in a geographical area and subject to a list of guidelines from the NAQCC. They provide opportunities to have fun and to promote our parallel passions of QRP and CW. If you are interested in forming a local chapter please contact Club President Paul, N8XMS.

If your chapter is planning a portable operation activity and would like to have it promoted on the club email list or in the newsletter, send an email with the subject "NAQCC Portable Operation" and with the exact wording of the announcement to Vice President John, N8ZYA, at the email address listed on the last page about a week before the operation. Please be sure to include the UTC time for the event and not just the local time.

A report about your chapter activity should appear here. Please send them to KD2MX or N8XMS at the email addresses listed on the last page.

NAQCC chapters located in the United States are welcome to use the NAQCC Club call, N3AQC for their special operations. Please contact call sign trustee Paul, N8XMS, to schedule the use of N3AQC.

Chapter Reports Begin On The Next Page

## CENTRAL TEXAS CHAPTER



Items in this section are from the Central Texas Chapter unless otherwise credited. Questions and comments should be directed to Danny, N5DRG.

The chapter is located in the Austin, TX area and maintains a website at <http://www.naqcc-centraltexas.net/index.html>.

No report available.

## DELMARVA CHAPTER



Items in this section are from the Delmarva Chapter unless otherwise credited. Questions and comments should be directed to Bill, N3IOD.

The chapter is located in the Delaware-Maryland-Virginia area.

No report available.

## NAQCC EUROPEAN CHAPTER

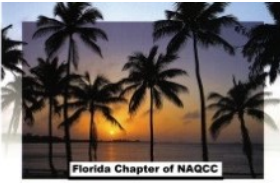


Items in this section are from European Chapter unless otherwise credited. Questions and comments should be directed to Matt, MWOMIE.

The European Chapter has its own monthly challenges to compensate for the Atlantic Ocean. However all are welcome to participate, not just members in EU, and we regularly receive challenge logs from North American participants. Please see the chapter website for dates and details at <http://www.naqcc-eu.org/>

No report available.

## NAQCC FLORIDA CHAPTER



Items in this section are from the Florida Chapter unless otherwise credited. Questions and comments should go to Steve, WB4OMM.

The Florida Chapter website is <http://wb40mm.com/naqcc-fl-chapter>.



**MEMBER NEWS:** On Friday, January 20<sup>th</sup>, 2017 the Florida Chapter of NAQCC held its latest “Operation in the Park” event at Hontoon Island State Park. Hontoon Island State Park is a 1,650-acre island tucked away on the St. John’s River southwest of Deland, Florida. The island is accessible only by private boat or park ferry. Evidence of Native American habitation over thousands of years can be witnessed as visitors hike through the park. Boating, canoeing, and fishing are popular activities and canoe rentals are available. Picnic areas include tables, grills, and a playground. Overnight boat slip rentals are also available.

Evidence shows that inhabitants have been living along the St. Johns River for over 12,000 years. Shell mounds and other artifacts found on Hontoon Island prove that many Native Americans called this place home.

In the 1500s, Spanish Conquistadors founded the city of St. Augustine, and they built a series of missions throughout North Florida. One of those missions is said to have existed here on the island.

After the Second Seminole War, settlers formed homesteads along the St. Johns River. Their survival depended on fishing and hunting wild game, along with raising cattle and growing crops like citrus, sugar cane, corn, cotton and sweet potatoes. A former soldier named Hunton acquired the property and established a homestead on the island.

This park has a nice covered pavilion, adjacent parking, a restroom and several large picnic tables (many near the water), making for easy setup. We’ve been to this park a few times and it is one of our favorites. We arrived, to a temp of 66 degrees and 50% humidity, accompanied by crystal clear blue skies and a light breeze. Florida Winter at its best!

***(Special Thanks to John KD4JS # 8019 for taking all of the photos in this report!!)***

Don K3RLL #1905 with his Official NAQCC-FL Hat working the airwaves. When asked how many Qs he and Wally made, this was Don's response.....



*"I don't think Wally made any more contacts than I did, and ..., well, ah, ... em, well, ah, ... I had one on the line, the bobber was bobbing up and down, I started to reel in some line, and... someone came in on top of me. Alas, I believe both Wally and I came home with empty fish stringers. (SIGH)."*

I'll say one thing for him, he's honest! (And we are always glad to see him and Wally show up!) He is a staunch supporter of QRP CW!

### ***DON K3RLL LOOKING FOR THOSE ELUSIVE QRP QSOs***



Steve WB4OMM #5913 let Bob W2ELG run his station along with new ham Nicole KM3SQB (Again!) using a KX-3 running 5W out. Bob showed his CW prowess today – he made Qs with W3T (Special Event Station for the Inauguration – remember, it's January 20<sup>th</sup>!) - N3MNT/MD, WG8Y/NC, KC9TYA/IN, N5GW/MS, K3Y/0/MN, and of course, what outing would not be complete without AA4W (50 feet away!!), Antenna was a homebrew End Fed Wire – 53 feet long to a 9:1 balun up in a tree. Steve has an Official Hat too.

### ***Nicole KM4SBQ, Steve WB4OMM, and Bob W2EJG***



***Art WB4MNK banging out the Qs***

As usual, Art WB4MNK # 5274 pounds out QSOs – in his Official Hat. His KX1 pumped 4W to a 33 foot vertical grounded in the St. John’s River (designed by our fabulous photographer for the day, John KD4JS #8019). He made Qs with: NN9K/IL, K1YAN/MA, KD9VT/IL, KB1M/NH and Special Event Station K3Y/9 in MD (yeah, dem udder CW folks!)

Oh, yeah, and his 30-foot Q with AA4W sitting almost next to him!!



***Rick AA4W concentrates to hear those QRP signals!***

Rick AA4W #1628 didn’t do too bad. He worked a fella in Lawrenceville, GA (AD4LY) ....and a guy in Germany!!! (DL5YM).

And then the “BIG DX” for the Day!!!! He worked Art WB4MNK 30 feet away from him.

Then Bob W2EJG (WB4OMM) 50 feet away from him. Surprises never cease in real life!!!





Wally KG4LAL #6278 working QRP phone with us die hard CW folks. Wally is a trooper, always smiling, never complains. Shows up and puts up with the rest of us. Yeah, I left this photo really, really, large. Notice the red arrow and the red oval to the left of Wally? See that “thing” there?? Good old Wally is clueless. Really glad he doesn’t have his lunch on the table. Musta been his unofficial hat.



For those of you that don't believe we live in the Stone Ages here in tropical Florida.

Yes, that is a 4 foot American Alligator.

They eat stuff.  
It's about 20 feet from Wally.



**NOW  
YOU  
TELL  
ME!!  
.....OOPS!**



**Group Shot – From left front, to back to right front - Don K3RLL, Art WB4OMM, Bob W2EJG, Steve WB4OMM, Wally KG4LAL and Rick AA4W**

We quit around noon and enjoyed our “brown bag picnic” lunch in the pavilion....we told all kinds of operating tales and the food was great! But not as great as our friendship and outing! We commiserated over the bad propagation, talked about the recent NAQCC Sprint, and of course, talked about the “good old days”. Everything was better back then! ☺ (Sure it was..... Hi hi hi ....)

And when we left, the alligator **STILL** had not moved!! (Wally was safe!!!)

**Many thanks to those who listened for us and helped make this yet another successful NAQCC-FL event! We appreciate those to look for us to contact!!**

**NEXT MONTH:** The next monthly outing of the NAQCC-FL Chapter is scheduled for Friday, February 17<sup>th</sup>, 2017 at 9:30 am.

Check us out at: <https://wb4omm.com/naqcc-fl-chapter/>

72/73 to all, Steve, WB4OMM #5913, [NAQCCFL@yahoo.com](mailto:NAQCCFL@yahoo.com)

## NAQCC ILLOWA CHAPTER



Items in this section are from the Illowa Chapter unless otherwise credited. Questions and comments should go to Peter, NN9K.

The Illowa Chapter operates in the “Quad Cities” area of Davenport, IA / Moline, IL.

The January NAQCC Illowa chapter meeting was held on January 12th at the Rock Island County EOC with Tim, N9BIL, Tony, N9YPN, Ann, W0ANN, John, WO0S and Peter, NN9K attending.

This was the instruction/construction night for the Sea Sprite kit, our group building project. Tim showed us his completed Sea Sprite kit and handed out the kits and CDs with the corrected construction documentation.

We started the project by separating each of the components and sticking them into a piece of styrofoam that Tony had provided. This showed the construction newbies the difference between resistors and molded inductors as well as an introduction to the color coding of the components. When we were done separating the components we each had rows of resistors, inductors and capacitors all separated by values. This made it easier to find the correct component as we started the actual construction.

The next step was to start soldering the resistors in place. Tim discussed the difference between soldering irons and soldering iron tips. He also showed us the difference between a good solder joint and a cold solder joint. He made it a point to check everyone's work as we completed soldering the resistors on the circuit board.

Time flew by rather quickly so we decided to call it an evening and take our partially completed kits home to finish. All in all it was a good evening.

The next Illowa Chapter meeting will be held on Thursday, February 9th at the Bettendorf Village Inn.

## NAQCC WEST FLORIDA CHAPTER



Items in this section are from the West Florida Chapter unless otherwise credited. Questions and comments should go to Ron, N9EE.

The chapter's web site is at <https://www.facebook.com/groups/967110089994401/>.

No report available.

## NAQCC WEST VIRGINIA CHAPTER



Items in this section are from the West Virginia Chapter unless otherwise credited. Questions and comments should go to John, N8ZYA.

The chapter's web site is at <http://n8zyaradioblog.blogspot.com/>.



I was able to operate from the Kanawha Trail Club lodge again this month. I'm very happy with this location despite being in the midst of two sharp hills. Many of those details can be found on my [Radio Blog](#). I see no reason to write twice when once will do. I will operate from this location more as the weather warms and the days get longer. The lodge is also a good place to play music. Perhaps on the next trip, with a few fellows operating radio, I'll sit back and play a new instrument I bought off the web. My best description of it is a "guitar dulcimer".

We had a nice club breakfast this month. I took along my old MFJ 971 tuner to have it inspected by Eric AC8LJ, Dave WV8DH, and John W8GDP. I assumed, since I was having trouble getting it to work with the HB1B, that it had been damaged by the lightning strike a few months ago. Mysteriously, it seems to work again, after Eric AC8LJ got it home to look at it more closely. It's like taking your car to the shop only to have it run perfectly and making it impossible to diagnose.

I like my new MFJ 902B tuner and plan to use it exclusively since I have SWR meters in both my Icom 703 and the HB1B. The new tuner is much smaller and easy to carry into the field.

I'd like to crow a bit on this month's NAQCC Sprint. First and Second places in the W8 division, saw Tom AB8RL in first place and Dave WV8DH in second place. Both of these guys are members of the WV Chapter. It's nice to see West Virginia folks in the winner's circle.

Charles Hawes KB8BFM has moved to Montana to work on a ranch. He took his HF station with him. The rancher will allow him to put up an antenna when he gets settled in and past the winter months.

I sold an old external keyer through the “shop and swap” listing last month. I’m amazed at the number of sellers and merchandise offered every month.

I’ve had several e-mails about a new speaker I’m using with the HB1B. It’s a simple device but works excellent in the field. I’m using it as a GMT clock, a MP3 player, and a FM radio. I like multi-functional devices. You can find information about the “speaker” [here](#).

I’m looking forward to warmer weather and more time at the lodge. The picture above was taken on Christmas day. I was playing the [new instrument](#) and my granddaughter was dancing.



That’s about it for this month from West Virginia. I’m looking forward to Groundhog Day and springtime. I leave the forecasting to [Punxsutawney Phil](#).

Happy Trails,  
John N8ZYA

## NAQCC WESTERN PENNSYLVANIA CHAPTER



Items in this section are from the Western Pennsylvania Chapter unless otherwise credited. Questions and comments should go to John, K3WWP.

Another quiet month for the WPA Chapter. A couple visits from Mike KC2EGL pretty much summed up the chapter activities.

Since Mike is a postal employee he gets all the holidays off, and we usually get together on those days. January 16 was one of those days. Our main activity was setting up a tentative schedule of chapter activities for this year. Here's what we have planned. We may shift a couple of dates especially since we didn't realize two fell on Easter and Mother's Day which may preclude some members from taking part then.

February 26 - South Hills Hamfest  
 April 16 (9? 23?) - Requin subpedition  
 May 14 (7? 21?) - Parkpedition  
 June 4 - Butler Hamfest  
 June 24/25 - Field Day  
 July 30 - FOBB  
 August - Skeeter Hunt  
 August 27 - Skyview  
 September - Unionville hamfest  
 Oct 9 - N3A Parkpedition  
 Nov 22 - Requin subpedition  
 Oil Creek and Titusville Railroad Train Ride(s) - July, October.

The train rides are non-activities but some chapter members may also be train buffs.

We spent pretty much the whole day together in various ham and non-ham activities. We started off discussing another of our favorite activities - sports, especially football since we were in the NFL playoffs time frame then. Of course we had to eat and we chose Ponderosa in Butler for that. We sure miss the Ponderosa here in Kittanning which closed a year or so ago. After planning our above agenda, it was up to my shack. The bands were poor. About the only station we heard was PV8ADI on 20, but Mike was unable to work him then. Some computer hidden object games occupied us for a while before going back to the shack a little after 0000Z. I got my regular streak QSO from N8RZO, we both worked SE station W0N in NE, then Mike got PV8ADI on 40. I had just worked him the night before so I didn't try him that time.

Mike came back on Wednesday the 18th to bring some kielbasa loaf and pierogies from a place in Eastern PA that he visits - Kowalonek's Kielbasa Shop. We spent a few hours together. A visit to the shack again turned out the usual poor DX conditions and neither of us worked anything. So we spent time in other activities like watching woodworking videos on the computer.

We hope you will be able to join us in some of the activities in the list above. We have developed a little chapter email list to notify chapter members of our activities.



# MEMBER SUBMISSIONS



This section is a forum for you to tell other members what you've been up to on the ham bands or to submit a short article dealing with some aspects of CW and QRP operation or equipment. Just about anything that would be of interest to our members would be welcomed. Send your items to our News Editor Paul, KD2MX.

DISCLAIMER: Any views expressed in this section are those of the submitting member and may or may not be those of the NAQCC or its officers.

From Richard, AG6QR, #6722 —

I enjoyed reading your article on iambic mode A or B in the NAQCC news.

But I couldn't answer the poll, because it didn't have an appropriate answer for me. I use iambic squeeze keying exclusively (unless I'm on a straight key), but I use such that I don't care whether the keyer is in mode A or mode B.

How is that possible? Well, the only difference between mode A and mode B is what happens when you release both paddles simultaneously. If you never release both paddles simultaneously, you can key in a way that works for either style keyer.

In other words, if you key an iambic sequence that ends in a dit, like a "C", just release the "dah" paddle early in the final "dah", and release the "dit" paddle as the last "dit" is starting. If you're keying a sequence that ends in a "dah", like a period, release the "dit" paddle during the final "dit", and release the "dah" paddle during the final "dah".

I mention this technique a bit on my website: <http://ag6qr.net/index.php/keys-bugs-paddles-and-keyers-a-terminology-introduction/> (search for "iambic mode A or B" about 3/4 of the way down)

I periodically switch my keyers between mode A and B, just to be sure I'm not developing habits that would cause problems with one or the other.

I don't claim this is a popular way to do it; in fact, as far as I know, I could be the only person in the world who keys this way. But it works for me, and I enjoy it. And if I ever get a chance to sit at W1AW, I won't care whether the keyer is in mode A or B.

Richard Cochran

From Don, K0KUZ, #7934 —

Thought some might enjoy this cw related tune. Pass it on to the membership is you deem applicable.

*Attached to the email was an MP3 file of a cute (silly) song called "CQ Boogie" by Buck Miner, K6RFE. Although the song is available "out there" I hesitated to embed it into the newsletter since I am not sure of the copyright laws that might apply. But I did find a YouTube video for it. As an added bonus the video includes a 2nd song and some information about the song's history. - Editor*

<https://www.youtube.com/watch?v=IMaid3pjcjg&spfreload=10>



From Joe, K5BRY, #6666 —

Thought you might want to see the NAQCC Central Texas Spots. This is a page that the central Texas chapter uses.

<http://www.naqcc-centraltexas.net/spots.php>

Thanks,  
Joe, K5BRY

From John, K3WWP, #0002 —

You can read about my January activities in my web site diary at [k3wwp.com](http://k3wwp.com), but I do want to present a couple items here in the newsletter. I think you'll get a kick out of the first story. I'll explain the reference to the QST article after the story.

A tale of the missing QSO. While working on the QST article, I was compiling some stats about the first QSO of every day in the streak. Horrors! In checking the compilation in Microsoft Excel, I found only 8,211 days instead of 8,212. I quickly used the Excel counting feature to count the QSOs for each year. When I got to 2008 (a leap year), it showed only 365 days instead of 366. I then counted each month of 2008. January 31, February 29.....October 31, November 30. So far, so good. Must be December. Yes, only 30 days there. Now which one is missing. It's December 27. OK, back through my Access log to see if something got miscopied from Access to Excel. No, there is indeed nothing for December 27. Well, on to my paper logs for 2008. Nothing there for December 27, but two for December 26. However the second one was a tail end QSO, so both were December 26. Hmmmmm, did I really not make a QSO for that day. How about my on-line log. Nothing there. Any mention of that in my diary entry for that date and the day after. Nope. Think, think, think. Bright light appears over my head as in the comic strips. Could that be the day of the RAC Winter contest and I didn't transfer my paper notes to any of my logs. Let's search the Internet for RAC Winter Contest 2008. Aha, the date was December 27 that year. OK, where do I go from here. I have a notebook with many contests in it when I logged on paper and not with GenLog. Up to the shack for the notebook. Down here to the computer. Now here's something worth perhaps some Twilight Zone music. The notebook has 180 pages. Know what's coming? Yep, I opened it first try right to that contest and there was the missing QSO with VA1MM on 80 meters. The only contact I made in the contest, apparently using it just for the streak. Heart beating again now. The streak is indeed continuous. I'm glad I never threw away those contest notes. Now to correct the logs and some other stats.

On the 24th I received an email from Steve WB8IMY of the ARRL which went like this: "I happened to come across your web site and read your remarkable story. I was wondering if you would be interested in submitting a version of your story for QST? We'd prefer something different from what is published on your site (to avoid "content duplication"), but it could be very much the same."

Well, if you ask a duck if he'd like to go for a swim, he wouldn't answer any quicker than I did to Steve. Of course I would love to have my story published in QST. That will spread my message of QRP/CW operation to a large audience and hopefully convince many of them that they can succeed in ham radio even with a very simple setup like mine. That would be very satisfying. I hope to have the article to Steve by the end of February which may have it appear in perhaps the April or May issue of QST if all goes well. Oh, and of course I'll throw in a plug for the NAQCC as well.

Many folks are interested in, and ask about my DX streak. Yes, it is still continuing as of 1,430 days on January 28, the day I'm writing this.

From Vlado, Z35M, #7883 –

Dear OMs

I'm informing NAQCC that I won the yearlong outdoor QRP marathon with a total of 1816 unique stations worked. Most of the time an ultralight QRP portable setup was used: Elecraft K1@5W, BullDog mini paddle, 12V - 1.3 Ah battery, tree limb or fishing rod wire vertical antenna with four ground mounted radials. A total of 3736 QRP QSOs were made in 142 outings all in 2016 (most of them valid for the above mentioned marathon).

73, Vlado Z35M, NAQCC#7883

QRP Marathon 2016. Results - Outdoor QRP Activity Group



From Paul, N8XMS, #0675 —

In spite of a very hectic and busy personal schedule and the generally poor band conditions that have recently prevailed, January was a pretty good month for me for ham radio. I had 61 QRP/CW QSOs that included 10 DX entities. I managed to complete our NAQCC challenge and also made a sweep of the US call districts with the [SKCC's](#) K3Y anniversary celebration. And as always this was done with my very old and lossy Cushcraft R7 vertical that is supposed to “radiate equally bad in all directions!” I’m sharing this in order to say that all of the gloom and doom predictions out there about QRP and the solar minimum are being made by people who, with all due respect, just don’t know what they are talking about. With some persistence, knowledge, skill, and yes, a little luck, QRP/CW can still make the Q’s. So now I’m turning my power down to less than a watt to take on our February NAQCC QRPp challenge. It won’t be easy but it will certainly be fun! Join me!

From Charles, W2SH, #0056 —

When I read the Soap Box comment of KB3AAG that accompanied his much lower-than-usual reported score in the December 2016 sprint, I was saddened by his news, but much more than that, his deeply felt affection towards the NAQCC for the joy he’d experienced during all the years of his membership.

I had QSO’d Frank occasionally, though not in recent months. After the December sprint I looked him up in QRZ and saw that his birth year was noted, and it is the same year showing for my QRZ entry. I planned to mail him a letter last month, but when I went back to verify his mailing address, QRZ reported him as SK on January 11, 2017.

In his final Soap Box entry he noted his previous sprint being that of October 2016. And those results, show 42 QSOs, one of his highest-ever sprint scores.

Bravo Frank, you gave it a mighty shot while you could! May you rest in eternal peace.

Charles, W2SH



# NAQCC CLUB INFORMATION

## STATEMENT OF PURPOSE

From NAQCC President Paul Huff, N8XMS

Amateur radio has something for everyone. SSB, FM, AM, the digital modes, and QRO power levels all have their place in this great hobby and we certainly recognize the importance of these modes as well as the enjoyment that they give to many. But for a growing number of hams the challenge of *“doing the most with the least”* makes QRP (and QRPp) CW operating the greatest thrill available in amateur radio, and the North American QRP CW Club exists to promote this exciting facet of the hobby. As part of our focus we also encourage, but do not limit operators to, the use of simple wire antennas.

The NAQCC provides numerous opportunities for hams to enjoy QRP/CW operating. For contest types we have a popular monthly 2-hour sprint that runs at relatively low CW speeds and at a fairly relaxed pace. Three special sprints also take place during the year for 160-meter and QRPp operators. For a month-long activity we offer our members a Monthly Challenge that can be anything from forming a list of words from the calls of stations worked, to making a prescribed number of contacts using home-brew gear. There is also an extensive awards program to recognize the significant QRP/CW accomplishments of our members.

We also serve as a resource for people who are just getting started in QRP and/or CW. Our slow-speed CW nets are a great place for beginners to practice Morse code under real on-air conditions. Beginners will also find a wealth of helpful information on our club website and we are more than willing to try to answer any questions about QRP and CW that you might have. An extensive monthly newsletter is filled with useful projects and news from fellow QRPers.

A number of local NAQCC Chapters offer opportunities to get together for in person socializing and QRP/CW activities. Portable operations are especially popular with the local chapters.

Whether you are a veteran ham radio operator who is looking for a new challenge in the hobby, or a beginner who is intrigued by the possibilities of QRP/CW communication, we cordially invite you to join us. Membership is free and the benefits and fun are significant.

The North American QRP CW Club was founded in 2004 by WY3H and K3WWP and now has over 8000 members world wide. Membership is free and anyone interested in CW/QRP operating is welcome. Complete information about the NAQCC, including a membership application, activities schedule, and useful resources, can be found on our website at <http://www.naqcc.info/>. Inquires can also be sent to

Club President Paul Huff, N8XMS  
9928 Eckles  
Livonia, MI 48150  
USA



Additional contact information can be found on the next page.

NAQCC CONTACTS		
NAQCC President Newsletter Editor	Paul - N8XMS	paul142857@gmail.com
NAQCC Vice President West Virginia Chapter	John - N8ZYA	jspiker58@gmail.com
Delmarva Chapter	Bill - N3IOD	william.hammond@mchsi.com
European Chapter	Matt - MW0MIE	matt@naqcc-eu.org
Florida Chapter	Steve - WB4OMM	wb4omm@arrl.org
Western Pennsylvania Chapter	John - K3WWP	naqcc33@windstream.net
Central Texas Chapter	Danny - N5DRG	n5drg@naqcc-centraltexas.net
Illowa Chapter	Peter - NN9K	nn9k.peter@gmail.com
West Florida Chapter	Ron - N9EE	mccrpt@tampabay.rr.com
Help For Beginners	Brion - VE3FUJ	ve3fuj@wightman.ca
Member Submissions Member Spotlight	Paul - KD2MX	kd2mx@arrl.net
NAQCC CW Nets	Wayne - NQ0RP	wayne.dillon@gmail.com

#### REPRINT POLICY

Unless otherwise stated in the article, local clubs and other ham radio organizations are free to reprint featured articles from this newsletter, provided appropriate credit is given to the North American QRP CW Club and the author of the article. If at all possible a link to the club website at <http://www.naqcc.info/> should be included.